



E3512 ELECTRIC GRILL



KEY FEATURES

- Single element controlled by energy regulator
- *simple adjustment of cooking temperature*
- Stainless steel exterior with cast iron linings
- *easy to clean*
- Double-cased with internal insulation
- *aids chamber heat retention*
- Gastronorm compatible
- *perfect for bulk products*
- Five position shelf runners
- *permits flexible cooking*
- Oil collection tray mounted upon grid shelf
- *catches any liquid grease frombrander cooking*
- Removable drip tray in cooking chamber
- *catches debris and grease during grilling*
- Three mounting options available
- *wall bracket, legs and grill stand*

MODELS and ACCESSORIES

E3512 - Grill

- Floor stand
- Stainless steel legs
- Wall bracket
- Grid shelf/brander carrier
- brander (*additional*)

INSTALLATION NOTES

Adequate ventilation must be provided to supply sufficient fresh air and to allow easy removal of any such products that may present a risk to health. Please consult current legislation for details that relate to specific locations.

A clearance of 150mm should be observed between appliance and any combustible wall.

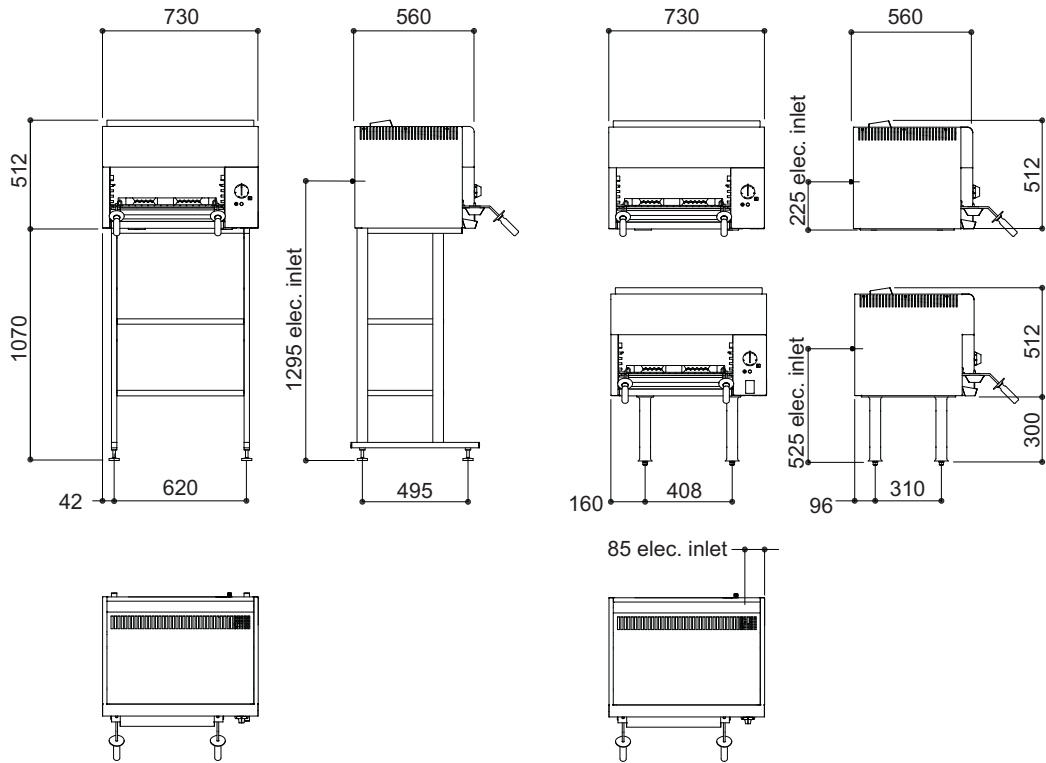




DOMINATOR PLUS

E3512 ELECTRIC GRILL

MODEL DIMENSIONS (in mm)



SPECIFICATION DETAILS

Electrical rating (kW)	5.2
Electrical supply voltage	230V N~
Amps per phase (A)	L1: 22.5
Weight (kg)	57
Packed weight (kg)	62